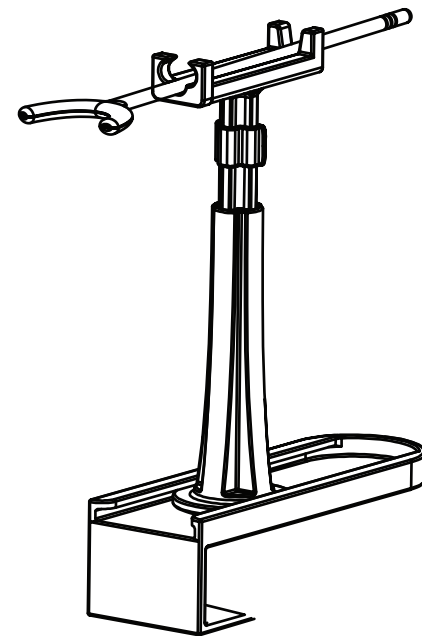


PEN HOLDER

Allows fixing the mouth stick while working on the computer.

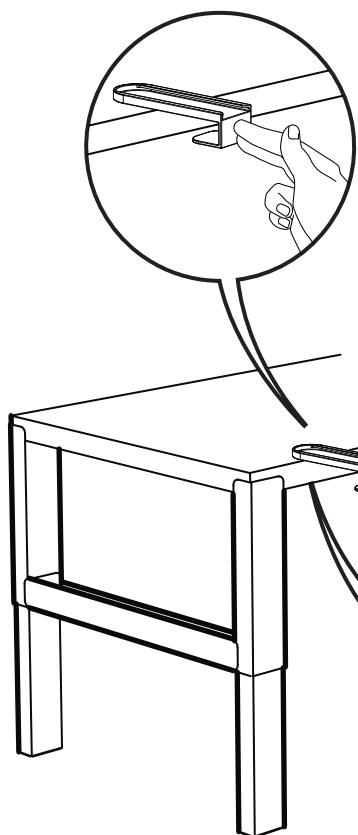
Allows positioning the mouth stick when working with the computer.

ThisAbles.com



1

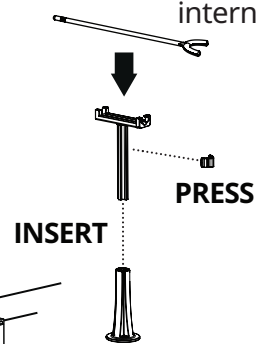
Insert the base of the mouth stick stand onto the table top edge.



2

Insert the stand into its base.

Insert the mouth stick into the stand's internal holder space.



INSERT

PRESS

INSERT

3

Adjust the stick stand's height to that of the user and set it by tightening the clasp.

Now you can place the mouth stick inside.

